

Crystal Oscillators [Quick - turn Clock Oscillators , 10 ~ 1500 MHz]



HTQF
CMOS waveform

HPQF
PECL Differential

HDQF
LVDS Differential

2.5 V **3.3 V**

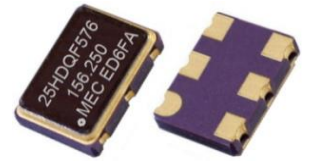
Min.
10 MHz

Max.
1,500 MHz

Features

0.8 ps Phase Jitter (typical)

The HTQF, HPQF and HDQF Series are members of Mercury's Q-Family Quick-Turn crystal oscillators that can be delivered within days. With low current consumption (42 mA for PECL 400.000 MHz at 3.3V) and an integrated phase jitter performance of 0.8 pS RMS, they have gained its precision frequency control market position by providing engineers with next-day samples for prototypes and low cost, fast delivery for volume production. The perfect solution to replace traditional XO's & VCXO's that use a more expensive, highfrequency, fundamental crystal and a noisy PLL multiplier circuit



General specifications , at Ta=+25°C

Model	HTQF	HPQF	HDQF					
Output Logic	CMOS	PECL	LVDS					
Supply Voltage V _{DD} (code)	+ 2.5 V ± 5% (voltage code " 25 ") + 3.3 V ± 10% (voltage code " 3 ")	+ 2.5 V ± 5% (voltage code " 25 ") + 3.3 V ± 10% (voltage code " 3 ")	+ 2.5 V ± 5% (voltage code " 25 ") + 3.3 V ± 10% (voltage code " 3 ")					
Available Frequency Range	10 ~ 250 MHz	10 ~ 1,500 MHz	10 ~ 1,500 MHz					
Load	15 pF	50 Ω into V _{CC} - 2V or Thevenin equivalent	100 Ω					
Output Logic " High " , " 1 "	90 % V _{DD}	V _{DD} - 1.03 (min.) , V _{DD} - 0.6 (max.)	1.4 V Typical , 1.6 V max.					
Output Logic " Low " , " 0 "	10 % V _{DD}	V _{DD} - 1.85 (min.) , V _{DD} - 1.6 (max.)	1.1 V Typical , 0.9 V min.					
Current with Output Disable	16 mA (typ.)	16 mA (typ.)	16 mA (typ.)					
Current Consumption (Max.) (V _{DD} = + 3.3V)	10 ~ 50 MHz : 30 mA	10 ~ 250 MHz : 50 mA	10 ~ 250 MHz : 30 mA					
	50 ~ 150 MHz : 38 mA	250 ~ 750 MHz : 55 mA	250 ~ 750 MHz : 34 mA					
	150 ~ 250 MHz : 48 mA	750 ~ 1500 MHz : 60 mA	750 ~ 1500 MHz : 40 mA					
Rise Time / Fall Time	1.5 nsec. (typ.) , 3.0 nsec. (max.) Tr / Tf : 10% → 90% waveform	0.2 nsec. (typ.) , 0.5 nsec. (max.) Tr / Tf : 20% → 80% waveform	0.2 nsec. (Typ.) , 0.4 nsec. (max.) Tr / Tf : 20% → 80% waveform					
Duty Cycle	50 % ± 5%							
Start-up Time	10 m sec. (max.)							
Aging at Ta = +25°C	± 2 ppm (max.) first year ; ± 10 ppm (max.) over 10 years							
Storage Temperature	-55°C to + 150°C							
RMS Jitter (12 KHz to 20 MHz)	0.8 psec (typ.)							
SSB Phase Noise [dBc / Hz (typ.)]	Offset	10 Hz	100 Hz	1 KHz	10 KHz	100 KHz	1 MHz	10 MHz
	156.250 MHz	-55	-85	-109	-116	-118	-139	-146
	622.08 MHz	-48	-85	-101	-102	-103	-124	-133
Frequency Stability Codes	Frequency Stability over Operating Temperature Range		± 25 ppm	± 50 ppm	± 100 ppm	If non-standard , please enter the desired stability after the "C " or " I " represents . For example : " C20 " ± 20 ppm over -10°C to +70°C ; " I30 " ± 30 ppm over -40°C to +85°C		
	Commercial (-10°C to +70°C)		A	B	C			
	Industrial (-40°C to +85°C)		D	E	F			
Output Enable Function								
OE Control on Pad 1	70% of V _{DD} (min.) to enable output. (Open connection prohibit.)							
	30% of V _{DD} (max.) to disable output.							
Output Enable Time / Disable Time	200 nsec.(max.) / 50 nsec.(max.)							

Mercury www.mercury-crystal.com ■ Taiwan : Tel: (886)-2-2406-2779 / sales-tw@mercury-crystal.com

■ USA : Tel: (+1)-909-466-0427 / sales-us@mercury-crystal.com ■ China : Tel: (+86)-512-5763-8100 / sales-cn@mercury-crystal.com

Crystal Oscillators [Quick - turn Clock Oscillators , 10 ~ 1500 MHz]



HTQF
CMOS waveform

HPQF
PECL Differential

HDQF
LVDS Differential

Q family
F series

SMD

Part Number Format and Example

	[1]	[2]	[3]		[4]		[5]
	Supply Voltage	Holder Type	1 or 2	-	Frequency Stability	-	Center Frequency

Example	(1)	25	HPQF576	1	-	D	-	622.080
	(2)	3	HDQF326	1	-	A	-	100.000

Ex (1) : **25HPQF5761 - D - 622.080** [+2.5V, H_ 576 type, PECL output, QF series, OE on pad # 1, ±25 ppm from -40°C to 85°C, 622.080MHz]

Ex (2) : **3HDQF3261 - A - 100.000** [+3.3V, H_ 326 type, LVDS output, QF series, OE on pad # 1, ±25 ppm from -10°C to 70°C, 100.000MHz]

[1]	Supply voltage, " 25 " for +2.5V ; " 3 " for +3.3V	
[2]	Holder Type	
[3]	" 1 " : OE function on pad # 1 , " 2 " : OE function on pad # 2	
[4]	-10°C ~ 70 °C	" A " ± 25ppm ; " B " ± 50ppm ; " C " ± 100ppm ; If non-standard please enter the desired stability after " C " , for example " C15 " : represents ±15ppm over -10 to +70°C
	-40°C ~ 85 °C	" D " ± 25ppm ; " E " ± 50ppm ; " F " ± 100ppm ; If non-standard please enter the desired stability after " I " , for example " I30 " : represents ± 30ppm over -40 to +85°C
[5]	Frequency in MHz	

Outline Dimensions (Unit : mm) , Suggested pad Layout for SMDs ; Test Circuit

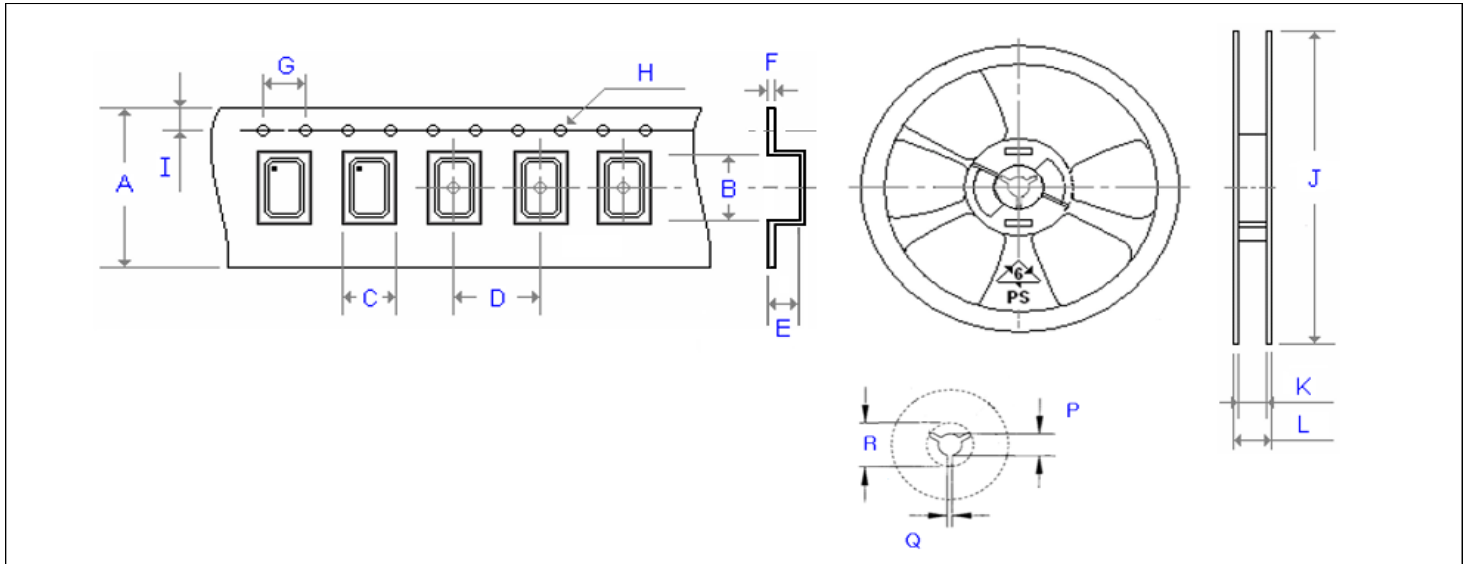
<p style="text-align: center;">[H_QF326]</p>	<p style="text-align: center;">[H_QF536]</p>
<p style="text-align: center;">[H_QF576]</p>	<p style="text-align: center;">LVPECL Test Circuit</p>
<p style="text-align: center;">CMOS Test Circuit</p>	<p style="text-align: center;">LVDS Test Circuit</p>

Mercury www.mercury-crystal.com ■ Taiwan : Tel: (+886)-2-2406-2779 / sales-tw@mercury-crystal.com

■ USA : Tel: (+1)-909-466-0427 / sales-us@mercury-crystal.com ■ China : Tel: (+86)-512-5763-8100 / sales-cn@mercury-crystal.com

Emboss Taping and Reel Specifications

[Crystal Oscillator Units]



Carrier Type Dimensions (unit : mm) ±0.3mm

	A	B	C	D	E	F	G	H	I	pcs / reel
H21	8.00	2.30	1.90	4.00	0.90	0.25	4.00	∅ 1.50	1.75	3000
H_22	8.00	2.80	2.25	4.00	1.10	0.30	4.00	∅ 1.50	1.75	3000
H_32	8.00	3.40	2.70	4.00	1.40	0.25	4.00	∅ 1.50	1.75	3000
H_53	12.00	5.30	3.60	8.00	1.40	0.30	4.00	∅ 1.50	1.75	1000
H_57	16.00	7.30	5.30	8.00	1.90	0.32	4.00	∅ 1.50	1.75	1000
SWO	16.00	7.20	5.40	8.00	1.80	0.32	4.00	∅ 1.50	1.75	1000
H_226	8.00	2.80	2.25	4.00	1.10	0.30	4.00	∅ 1.50	1.75	3000
H_326	8.00	3.40	2.70	4.00	1.40	0.25	4.00	∅ 1.50	1.75	3000
H_536	12.00	5.30	3.60	8.00	1.40	0.30	4.00	∅ 1.50	1.75	1000
H_576	16.00	7.30	5.30	8.00	1.90	0.32	4.00	∅ 1.50	1.75	1000
H_JF328	8.00	3.40	2.70	4.00	1.40	0.25	4.00	∅ 1.50	1.75	3000
H_JF538	12.00	5.30	3.60	8.00	1.40	0.30	4.00	∅ 1.50	1.75	1000
H_JF578	16.00	7.30	5.30	8.00	1.90	0.32	4.00	∅ 1.50	1.75	1000
H_43	24.00	11.80	10.00	16.00	5.00	0.30	4.00	∅ 1.50	1.75	500

Reel Dimensions (unit : mm) ±2mm

	J	K	L	P	Q	R	pcs / reel
H21	180.00	9.00	12.000	13.00	2.50	20.20	3000
H_22	180.00	8.40	11.400	13.00	2.50	20.20	3000
H_32	180.00	9.00	12.000	13.00	2.50	20.20	3000
H_53	180.00	13.00	16.000	13.00	2.50	20.20	1000
H_57	180.00	17.20	19.300	13.00	2.50	20.20	1000
SWO	180.00	17.20	19.300	13.00	2.50	20.20	1000
H_226	180.00	8.40	11.400	13.00	2.50	20.20	3000
H_326	180.00	9.00	12.000	13.00	2.50	20.20	3000
H_536	180.00	13.00	16.000	13.00	2.50	20.20	1000
H_576	180.00	17.20	19.300	13.00	2.50	20.20	1000
H_JF328	180.00	8.00	12.000	13.00	2.50	20.20	3000
H_JF538	180.00	13.00	16.000	13.00	2.50	20.20	1000
H_JF578	180.00	17.20	19.300	13.00	2.50	20.20	1000
H_43	330.00	24.50	29.100	13.00	2.50	20.20	500

Mercury www.mercury-crystal.com ■Taiwan : Tel: (+886)-2-2406-2779 / sales-tw@mercury-crystal.com

■USA : Tel: (+1)-909-466-0427 / sales-us@mercury-crystal.com ■China : Tel: (+86)-512-5763-8100 / sales-cn@mercury-crystal.com