

M. C. F. [Monolithic Crystal Filters]

49T

Dip Type

Jacket Type

Fundamental

10.7 MHz

10.8 MHz

2 poles

4 poles

6 poles

8 poles

[11.5 * 4.5 * 11.2 mm]

Thru - Hole Type (standard frequency 10.700 MHz) ; available frequency range (10.695 ~ 10.800 MHz)

Channel Spacing (KHz)	Model	No. of poles	Pass Bandwidth		Stop Bandwidth		Ripple dB (max.)	Insertion Loss dB (max.)	Guaranteed Attenuation		Terminating Impedance ohms // pF	Package	
			dB	KHz (min.)	dB	KHz (max.)			dB	KHz		Tandem set	One package
12.5	10M7.5A	2	3	± 3.75	20	± 18	0.5	1.5	35	±300 ~ ±1000	1.8K // 5.0	49T	
	10M7.5B	4	3	± 3.75	40	± 14	1.0	2.5	65	±300 ~ ±1000	1.8K // 4.5	49T a pair	
	10M7.5C	6	3	± 3.75	45	± 8.75	2.0	3.5	65	±12.5 ~ ±300	1.8K // 3.5	49T 3 pcs	L1
	10M7.5D	8	3	± 3.75	65	± 8.75	2.0	4.0	90	±12.5 ~ ±300	1.8K // 3.5	49T 4 pcs	L2
20.0	10M12A	2	3	± 6.0	18	± 25	0.5	2.0	35	±300 ~ ±1000	2.5K // 2.5	49T	
	10M12B	4	3	± 6.0	40	± 20	1.0	2.5	65	±300 ~ ±1000	2.5K // 1.5	49T a pair	
	10M12C	6	3	± 6.0	45	± 15	2.0	4.0	65	±20 ~ ±300	2.5K // 1.5	49T 3 pcs	L1
	10M12D	8	3	± 6.0	65	± 15	2.0	2.0	90	±20 ~ ±300	2.5K // 1.5	49T 4 pcs	L2
25.0	10M15A	2	3	± 7.5	18	± 25	0.5	1.5	35	±300 ~ ±1000	3.0K // 2.0	49T	
	10M15B	4	3	± 7.5	40	± 25	1.0	2.5	55	±300 ~ ±1000	3.0K // 1.5	49T a pair	
	10M15C	6	3	± 7.5	45	± 18	2.0	3.0	65	±25 ~ ±300	3.3K // 1.5	49T 3 pcs	L1
	10M15D	8	3	± 7.5	65	± 18	2.0	4.0	90	±25 ~ ±300	3.3K // 1.5	49T 4 pcs	L2
50.0	10M30A	2	3	± 15	15	± 50	0.5	1.5	30	±300 ~ ±1000	5.0K // 0	49T	
	10M30B	4	3	± 15	30	± 40	1.0	2.5	30	±300 ~ ±1000	5.5K // -1.0	49T a pair	
	10M30C	6	3	± 15	60	± 45	2.0	3.0	65	±45 ~ ±300	5.5K // -1.0	49T 3 pcs	L1
	10M30D	8	3	± 15	60	± 30	2.0	3.5	90	±50 ~ ±300	5.5K // -1.0	49T 4 pcs	L2

Part Number Format and Example

49T	49TMJ									
4 pole M.C.F. (Paired packages , Tandem set)	(L - 1) , (L - 2) --- One Package Type									
	<table border="1" style="margin-left: auto; margin-right: auto;"> <tr> <td></td> <td>L</td> <td>P</td> </tr> <tr> <td>L-1</td> <td>15.0</td> <td>9.0</td> </tr> <tr> <td>L-2</td> <td>18.5</td> <td>13.4</td> </tr> </table>		L	P	L-1	15.0	9.0	L-2	18.5	13.4
	L	P								
L-1	15.0	9.0								
L-2	18.5	13.4								

Mercury www.mercury-crystal.com ■ Taiwan : Tel: (+886)-2-2406-2779 / sales-tw@mercury-crystal.com

■ USA : Tel: (+1)-909-466-0427 / sales-us@mercury-crystal.com ■ China : Tel: (+86)-512-5763-8100 / sales-cn@mercury-crystal.com

M. C. F. [Monolithic Crystal Filters]

Part Number Format and Example

SMD Type Part Number Format			
[1]	[2]	[3]	[4]
Frequency Code	MQ	Width Code	Poles Code

Dip Type Part Number Format				
[1]	[2]	[3]	[4]	[5]
Frequency Code	M	Width Code	Poles Code	Holder Type

Examples 45 MQ 30 A

Examples 21.7 M 7.5 D U5SM

[1]	Freq. code : " 10 " for 10.700MHz , " 21 " for 21.400MHz , " 21.7 " for 21.700MHz , " 45 " for 45.000MHz , Freq. code : If none standard freq. please show frequency with one decimal point .
[2]	" M " Dip Type series , " MQ " SMD Type (7.0 * 5.0 * 1.3 mm)
[3]	Pass band width (3dB) (min.) " 7.5 " for ± 3.75 KHz , " 15 " for ± 7.5 KHz , " 20 " for ± 10 KHz , " 30 " for ± 15 KHz ,
[4]	No. of poles " A " for 2 poles , " B " for 4 poles , " C " for 6 poles , " D " for 8 poles
[5]	Dip type holder type
[6]	Standard operating temperature range is -20°C to 70°C , If non-standard please enter the desired temp. range after " / " , for example " / -30+70 " : -30°C to 70°C

Package Dimensions (unit : mm)

[U 1]	[U 5]									
[U 1 M J]	[U 5 M J]									
4 pole M.C.F. (paired packages)	[S - 1] , [S - 2]									
	<table border="1" style="margin-left: auto; margin-right: auto;"> <thead> <tr> <th></th> <th>L</th> <th>P</th> </tr> </thead> <tbody> <tr> <td>S-1</td> <td>11.0</td> <td>7.4</td> </tr> <tr> <td>S-2</td> <td>13.4</td> <td>9.8</td> </tr> </tbody> </table>		L	P	S-1	11.0	7.4	S-2	13.4	9.8
	L	P								
S-1	11.0	7.4								
S-2	13.4	9.8								

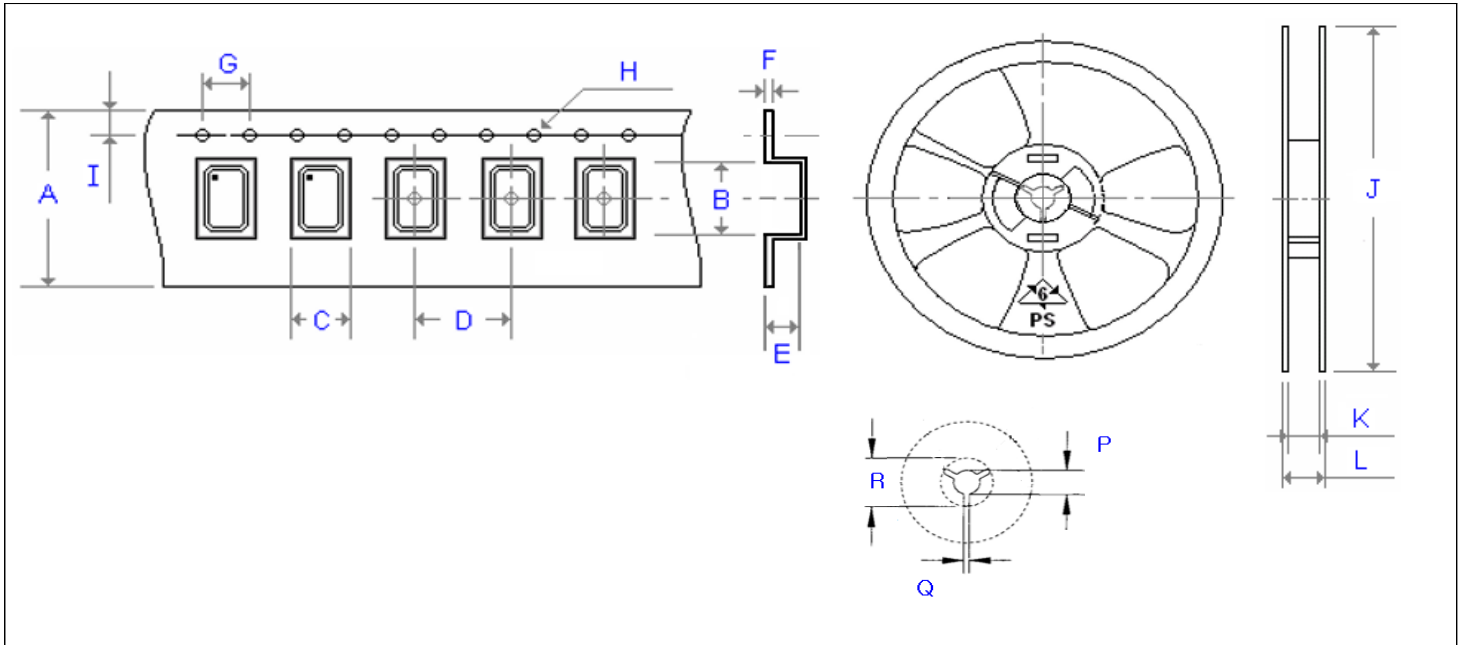
Mercury www.mercury-crystal.com ■Taiwan : Tel: (+886)-2-2406-2779 / sales-tw@mercury-crystal.com

■USA : Tel: (+1)-909-466-0427 / sales-us@mercury-crystal.com ■China : Tel: (+86)-512-5763-8100 / sales-cn@mercury-crystal.com

Emboss Taping and Reel Specifications

[Crystal Units]

[M . C . F . Units]



Carrier Type Dimensions (unit : mm) ±0.3mm

	A	B	C	D	E	F	G	H	I	pcs / reel
X11	8.00	1.79	1.39	4.00	0.45	0.25	4.00	Ø 1.50	1.75	3000
X21	8.00	2.30	1.90	4.00	0.60	0.20	4.00	Ø 1.50	1.75	3000
X22	8.00	2.80	2.25	4.00	1.10	0.30	4.00	Ø 1.50	1.75	3000
X32	8.00	3.40	2.70	4.00	1.40	0.25	4.00	Ø 1.50	1.75	3000
X42	12.00	4.30	2.80	8.00	1.00	0.30	4.00	Ø 1.50	1.75	1000
X2012	8.00	2.25	1.45	4.00	0.75	0.25	4.00	Ø 1.50	1.75	3000
X3215	12.00	3.40	1.75	4.00	0.87	0.32	4.00	Ø 1.50	1.75	3000
MJ	12.00	5.30	3.60	8.00	1.40	0.30	4.00	Ø 1.50	1.75	1000
MF	16.00	6.30	4.00	8.00	1.40	0.30	4.00	Ø 1.50	1.75	1000
MQ	16.00	7.20	5.40	8.00	1.80	0.30	4.00	Ø 1.50	1.75	1000
M49	24.00	15.00	5.00	12.00	4.25	0.40	4.00	Ø 1.50	1.75	1000
ML49	24.00	14.80	5.00	12.00	3.50	0.40	4.00	Ø 1.50	1.75	1000
MP4 (24)	24.00	13.30	5.10	12.00	4.20	0.40	4.00	Ø 1.50	1.75	1000
MP5 (25)	24.00	13.40	5.10	12.00	5.20	0.40	4.00	Ø 1.50	1.75	1000

Reel Dimensions (unit : mm) ±2mm

	J	K	L	P	Q	R	pcs / reel
X11	180.0	8.4	11.4	13.0	2.5	20.2	3000
X21	180.0	8.4	11.4	13.0	2.5	20.2	3000
X22	180.0	8.4	11.4	13.0	2.5	20.2	3000
X32	180.0	9.0	12.0	13.0	2.5	20.2	3000
X42	180.0	13.0	16.0	13.0	2.5	20.2	1000
X2012	180.0	9.0	11.4	13.0	2.5	20.2	3000
X3215	180.0	13.0	15.4	13.0	2.5	20.2	3000
MJ	180.0	13.0	16.0	13.0	2.5	20.2	1000
MF	180.0	17.2	19.3	13.0	2.5	20.2	1000
MQ	180.0	17.2	19.3	13.0	2.5	20.2	1000
M49	330.0	24.5	29.1	13.0	2.5	20.2	1000
ML49	330.0	24.5	29.1	13.0	2.5	20.2	1000
MP4 (24)	330.0	24.5	29.1	13.0	2.5	20.2	1000
MP5 (25)	330.0	24.5	29.1	13.0	2.5	20.2	1000

Mercury www.mercury-crystal.com ■Taiwan : Tel: (+886)-2-2406-2779 / sales-tw@mercury-crystal.com

■USA : Tel: (+1)-909-466-0427 / sales-us@mercury-crystal.com ■China : Tel: (+86)-512-5763-8100 / sales-cn@mercury-crystal.com